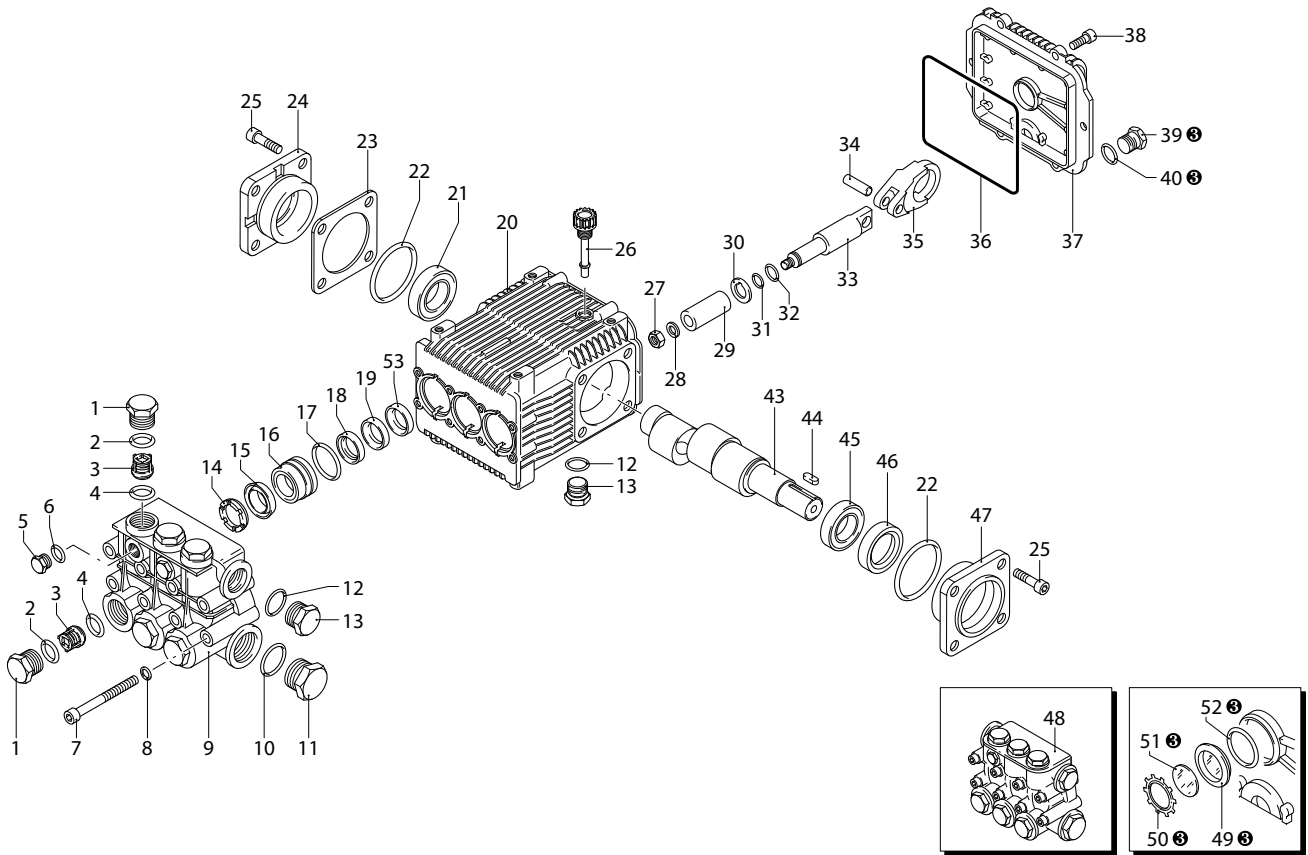


RHW

VERSION

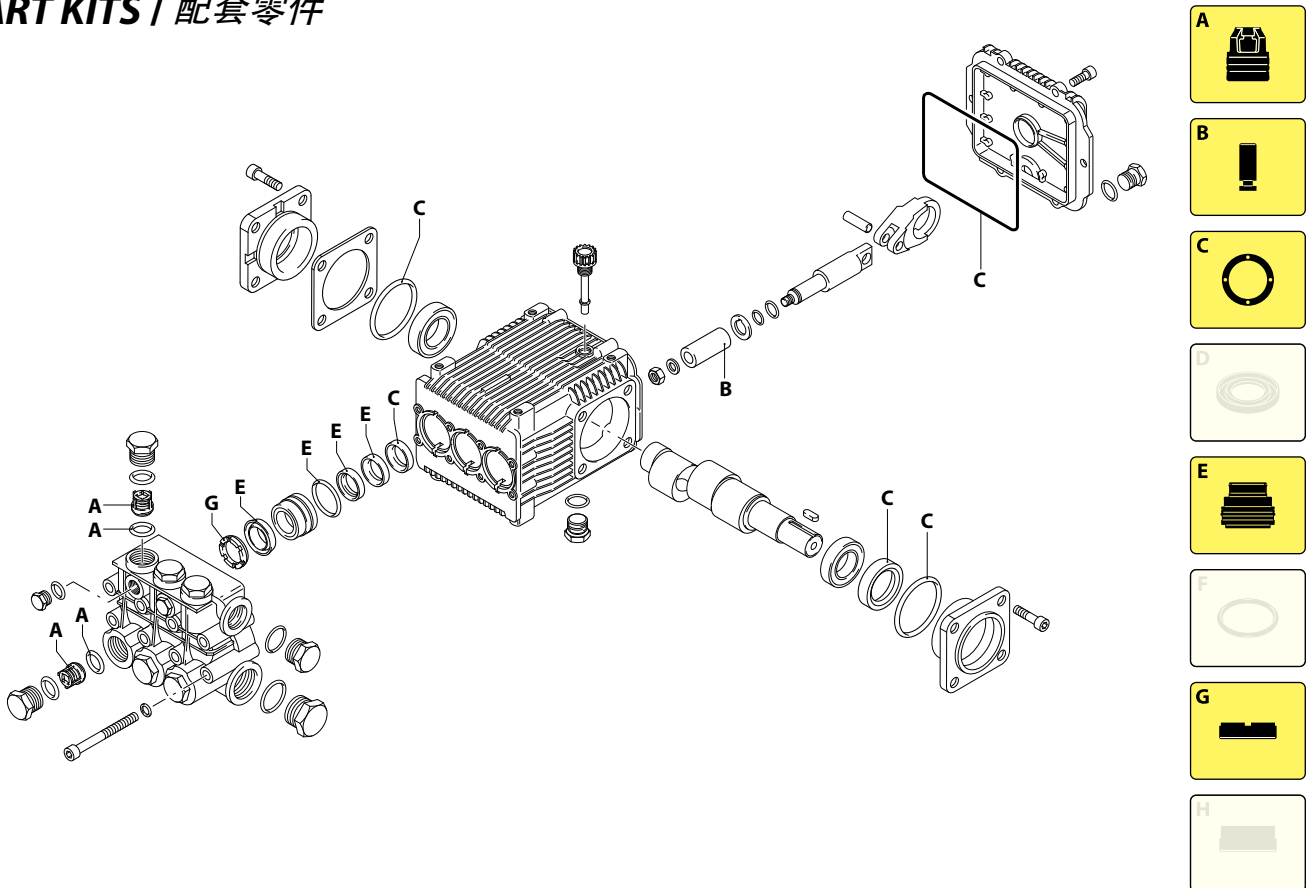
N 1450rpm

∅ 24x30 mm



UN003079-AV

PART KITS / 配套零件



UN003080-AV

228 Series

RHW 1450 rpm N version ø 24 m

13.12

13.17

15.15



Pos. 序号	Cod. 编号	Description	描述	Qt 数量	Note 备注	Pos. 序号	Cod. 编号	Description	描述	Qt 数量	Note 备注
1	1380740	Plug	插头	6	C=50Nm	40	740290	O-ring	Ø 14x1,78	1	⊕
2	960160	O-ring	Ø 17,86x2,62	6		43	2280080	Shaft	marcato 3	1	●
3	2289051	Complete valve	单向阀	6		43	2280060	Shaft	marcato 1	1	○
4	880833	O-ring	Ø 15,54x2,62	6		44	1380520	Key		1	
5	880581	Plug	1/4" G	2		45	1383140	Bearing		1	
6	820510	O-ring	Ø 10,82x1,78	2		46	180340	Ring	tenuta	1	(a)
7	820150	Screw	TCEI M8x70	8		47	2340280	Support	cuscinetto aperto	1	
8	1381850	Washer		8		48	1389296	Head assembly		1	
9	1380680	Head	nikelata	1		49	1260250	Level gauge		1	⊕
10	180101	O-ring	Ø 17,5x2	1		50	1260430	Ring		1	⊕
11	960870	Plug	1/2" G nickel	1	C=40Nm	51	1780690	Plate		1	⊕
12	740290	O-ring	Ø 14x1,78	2		52	1140450	O-ring	Ø 20,24x2,62	1	⊕
13	1981180	Plug	3/8" G nickel	2	C=25Nm	53	1383130	Ring	tenuta	3	⊕
14	960110	Ring	appoggio Ø18	3							
15	2281730	Gasket		3							
16	2281750	Piston guide	anteriore Ø18	3							
17	961240	O-ring	Ø 31,47x1,78	3							
18	2281620	Gasket		3							
19	2281740	Piston guide	posteriore Ø18	3							
20	2340260	Pump body		1							
21	2280340	Bearing		1							
22	640030	O-ring	Ø 59,99x2,62	2							
23	1380120	Shim	0.10 mm	1÷3							
	1380130	Shim	0.20 mm	1÷3							
	1380530	Shim	0.25 mm	1÷3							
	1382810	Shim	0.05 mm	1÷3							
24	2340270	Support	cuscinetto chiuso	1							
25	850370	Screw	TCEI M8x16	8	C=24,5Nm						
26	880130	Plug		1							
27	1260110	Nut	M8	3	⊕ C=20Nm						
28	1260100	Washer		3	C=10Nm						
29	1383230	Piston	Ø 18	3							
30	1383350	Plate		3							
31	480480	O-ring	Ø 4,48x1,78	3							
32	1080550	Ring	antiestrusione	3							
33	1383240	Piston	di guida	3							
34	1380060	Pin		3							
35	1383020	Connecting-rod	bronzo	3							
36	1780510	O-ring	Ø 106x3	1							
37	2349012	Cover		1							
38	1343510	Screw	TCEI M6x14	6	C=10Nm						
39	1981180	Plug	3/8" G nickel	1	⊕ C=20Nm						

⊕ Part of part n° 2349012 / 配件号是2349012

PART KITS - 配套零件

A=KIT 42328 valves 阀		B=KIT 2500 pistons 柱塞		C=KIT 1855 oil seals 油封		E=KIT 42329 water seals 水封	
Pos. 序号	Q.ty 数量	Pos. 序号	Q.ty 数量	Pos. 序号	Q.ty 数量	Pos. 序号	Q.ty 数量
3	6	29	3	22	2	15	3
4	6			36	1	17	3
				46	1	18	3
				53	3	19	3

G=KIT 1829 support rings 支撑环							
Pos. 序号	Q.ty 数量	Pos. 序号	Q.ty 数量	Pos. 序号	Q.ty 数量	Pos. 序号	Q.ty 数量
14	3						

SIMBOLOGIA - 标记

● For / 用于 RHW 13.12
○ For / 用于 RHW 15.15

C Tightening torque tolerance 0÷10% / 拧紧力矩公差 0÷10%
⊕ Screw with Loxeal 55-14 / 用 Loxeal 55-14 螺丝
(a) Fit the seal with tool code nr. 2281010 / 使用工具 nr. 2281010进行密封

Oil - 机油	
Type / 类型	Quantity / 数量
ISO VG 220	0,435 Kg